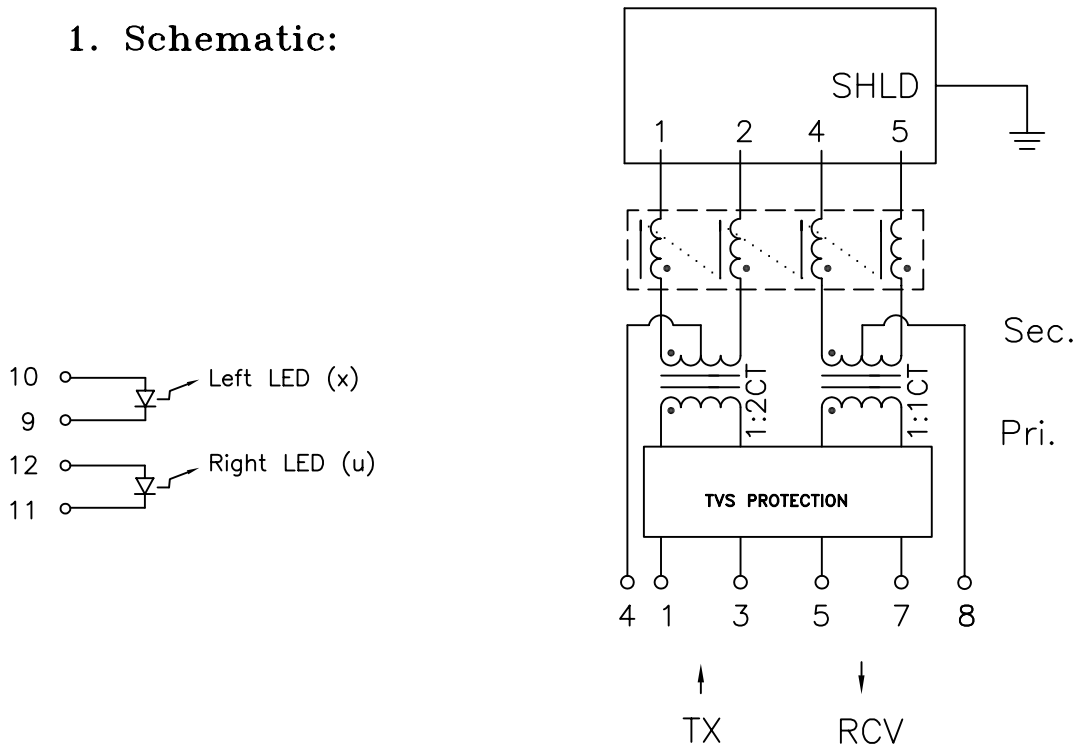


# 1. Schematic:



# 2. Electrical Specification: @25°

- Isolation: 1500Vrms 0.5mA 2Sec (Pri to Sec)
- Turns Ratio: 1:2CT (TX) 1:1±2% (RCV) (Pri:Sec)
- PRI OCL: 600uH Typ @100KHz 50mV (TX & RCV)
- Cw/w: 40pF Maximum @100KHz 50mV
- PRI LL: 1.0uH Maximum @100KHz 50mV (SEC Shorted)
- PRI DCR: 1.00 Ohms Maximum (TX)
- PRI DCR: 1.20 Ohms Maximum (RCV)
- SEC DCR: 2.00 Ohms Maximum (TX)
- SEC DCR: 1.25 Ohms Maximum (RCV)
- CMR CHOKE OCL: 18uH Typical @100KHz 50mV
- Q: 5 Min @10KHz 50mV

### Notes:

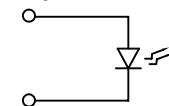
- Solderability: Leads shall meet MIL-STD-202G, Method 208H for solderability.
- Flammability: UL94V-0
- ASTM oxygen index: > 28%
- Insulation System: Class F 155°C. UL file E151556
- Operating Temperature Range: All listed parameters are to be within tolerance from -40°C to +85°C
- Storage Temperature Range: -55°C to +125°C
- Aqueous wash compatible
- Electrical and mechanical specifications 100% tested
- RoHS Compliant Component
- Designed to meet GR1089 Intra-Building Lightning Standard

DOC REV: C/2

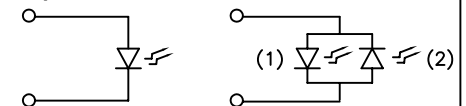
Complete the Combo P/N as follows:

Replace 'x' & 'u' in the part number with one of the LED color letters:  
 Y=Yellow 'x' = Left LED Color  
 G=Green 'u' = Right LED Color  
 A=Amber  
 R=Red  
 C=Green(1)/Amber(2) Bicolor  
 D=Amber(1)/Green(2) Bicolor  
 M=Green(1)/Yellow(2) Bicolor  
 N=Yellow(1)/Green(2) Bicolor  
 P=Red(1)/Green(2) Bicolor  
 Q=Green(1)/Red(2) Bicolor

Single Color LED:



Bi-Color LED:



**PROPRIETARY:**

Document is the property of XFMRS Group & is not allowed to be duplicated without authorization.

**XFMRS Inc.**

Title:

SINGLE PORT COMBO w LEDs

UNLESS OTHERWISE SPECIFIED

P/N: XFT1E1DTVS-CTxu1-4M

REV. C

TOLERANCES:

DWN.

Mei Chen

Feb-04-10

.xxx ±0.010

Dimensions in Inch

CHK.

YK Liao

Feb-04-10

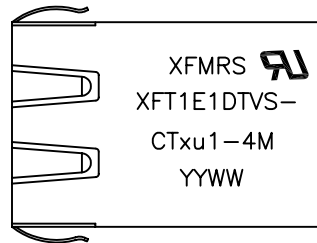
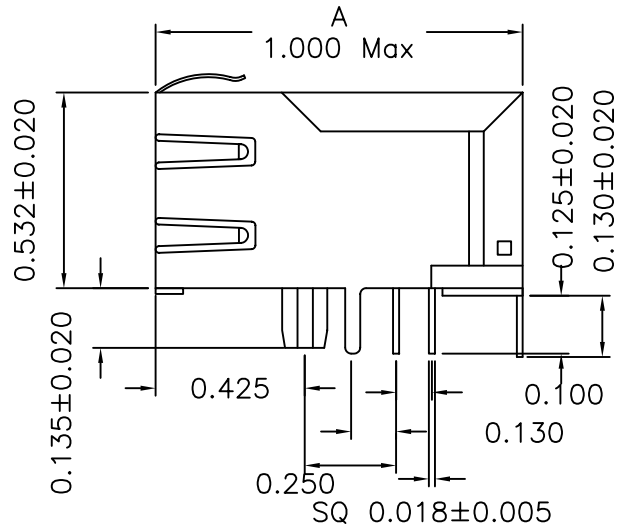
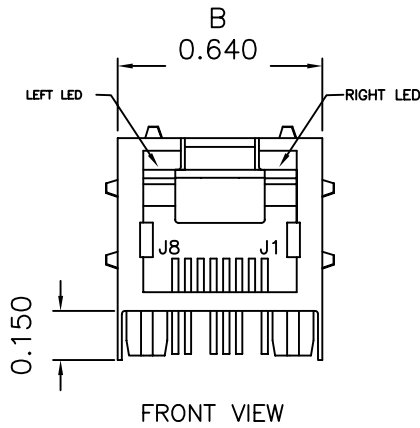
SHEET 1 OF 2

APP.

BW

Feb-04-10

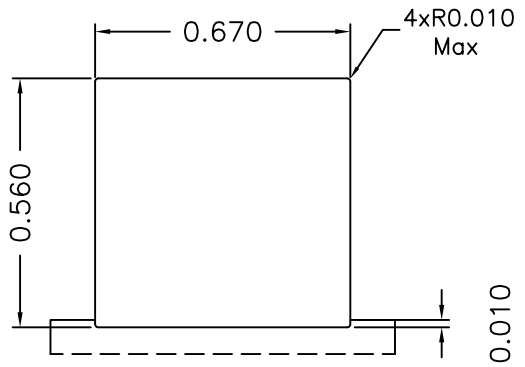
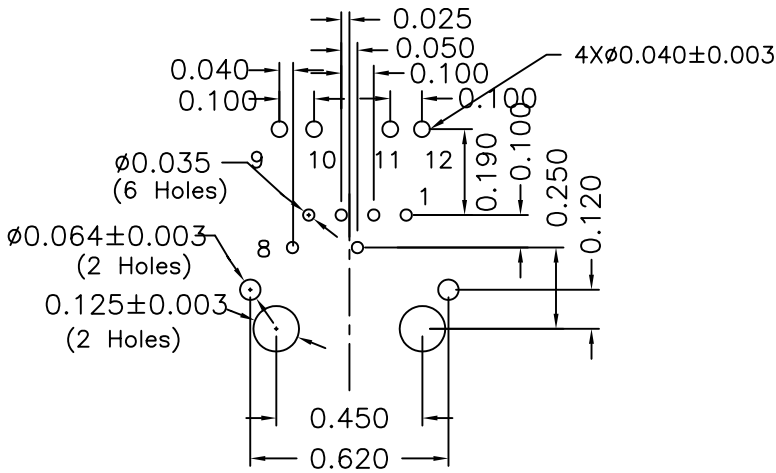
**Mechanical Dimensions:**



\*\*\*Remove PIN#2&6

TOP VIEW

**Mounting Pattern: (Top View)**



FACE VIEW  
RECOMMENDED PANEL CUTOUT

DOC REV: C/2

**XFMRS Inc.**

Title: Mechanical Dimensions  
For TAB UP RJ45 COMBO

UNLESS OTHERWISE SPECIFIED

P/N: XFT1E1DTVS-CTxu1-4M

REV. C

TOLERANCES:  
.xxx ±0.010  
Dimensions in Inch

DWN.

Mei Chen

Feb-04-10

CHK.

YK Liao

Feb-04-10

SHEET 2 OF 2

APP.

BW

Feb-04-10

**PROPRIETARY:**

Document is the property of XFMRS Group & is not allowed to be duplicated without authorization.